

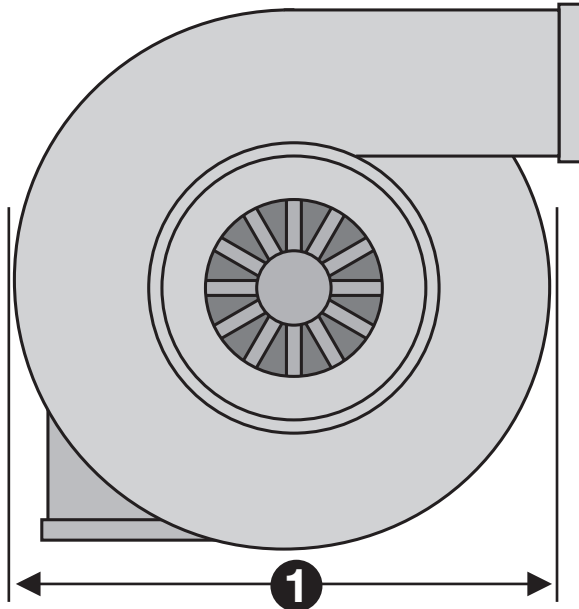
# HOW TO MEASURE FOR A TURBOCHARGER COMPRESSOR OR TURBINE BLANKET

These measurements are for Ballistic Containment Blankets for the Compressor Housing (cold side) or Turbine Housing (hot side) of a Turbocharger assembly.

Please use a separate form and indicate which housing side the measurements are for:

- Compressor Housing (cold side)
- Turbine Housing (hot side)

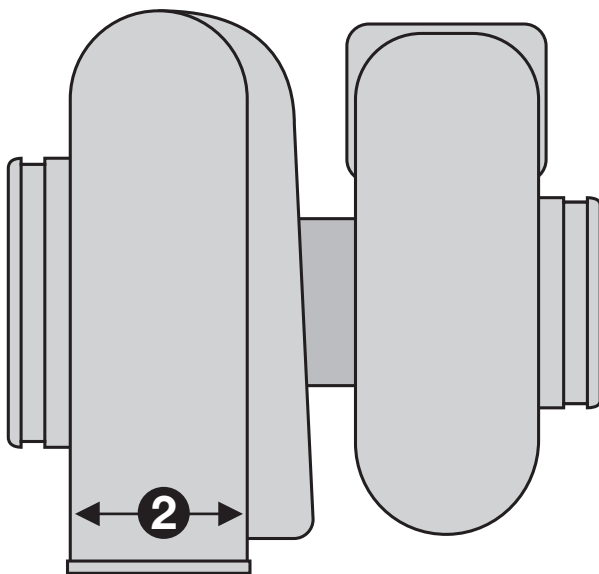
This diagram shows measurement points for the Compressor Housing (cold side). Same instructions apply for the Turbine Housing (hot side). Since the width of the housing, regardless of the side, is usually tapered, four measurements are needed:



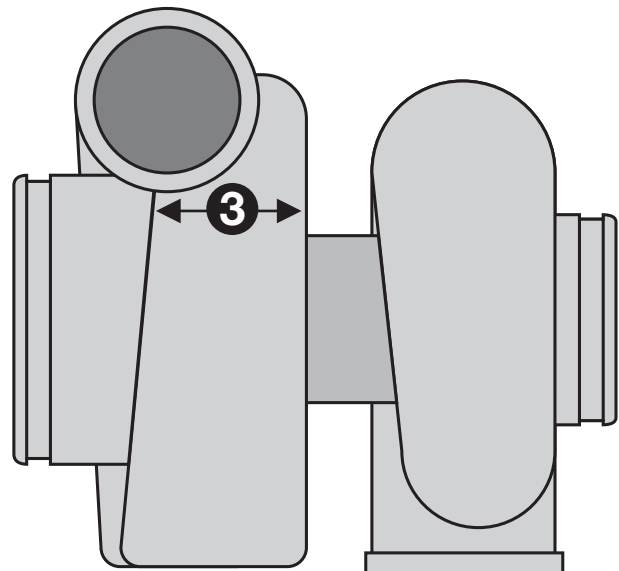
FACE or FRONT VIEW

1. Measure the diameter of the face \_\_\_\_\_ of the housing.
2. Measure the width at the the widest point of the housing, which is usually at the outlet (cold side) or the inlet (hot side). \_\_\_\_\_
3. Measure the width of the housing at its narrowest point. \_\_\_\_\_

Make and Model No. of your turbocharger: \_\_\_\_\_



TOP VIEW



END VIEW



Tech Support: 405-632-2022  
 products@stroudsafety.com  
 www.stroudsafety.com