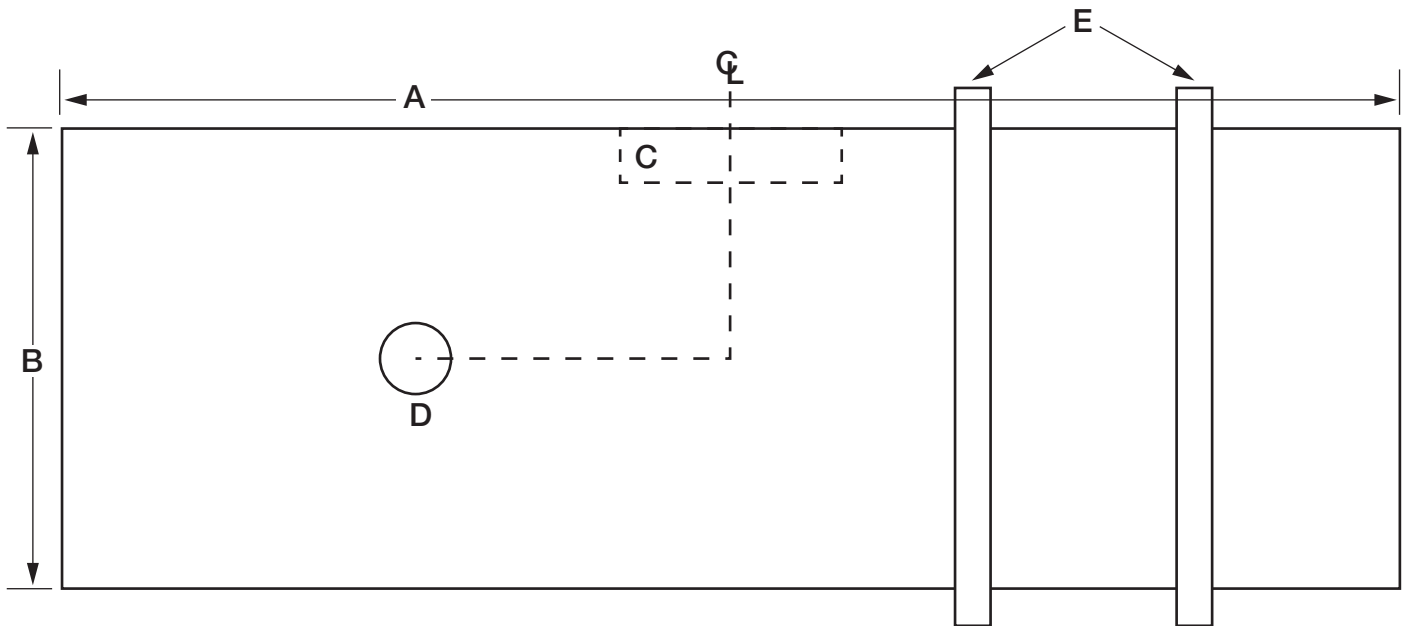




WWW.STROUDSAFETY.COM

PULLING BLANKET MEASUREMENTS

- A) LENGTH (CIRCUMFERENCE) + 6"
- B) WIDTH (FRONT TO REAR) NOTE: 4.2 BLANKETS MUST BE AT LEAST 17"
- C) NOTCHES
- D) HOLES OF ANY TYPE
- E) 4.2 ONLY - FRONT TO REAR STRAP POSITION



- 1) TYPE VEHICLE (eg. JD 4230, IH 1066, etc.) _____
- 2) RATING NEEDED (circle one): 4.1 4.2
- 3) NTPA CLASS _____